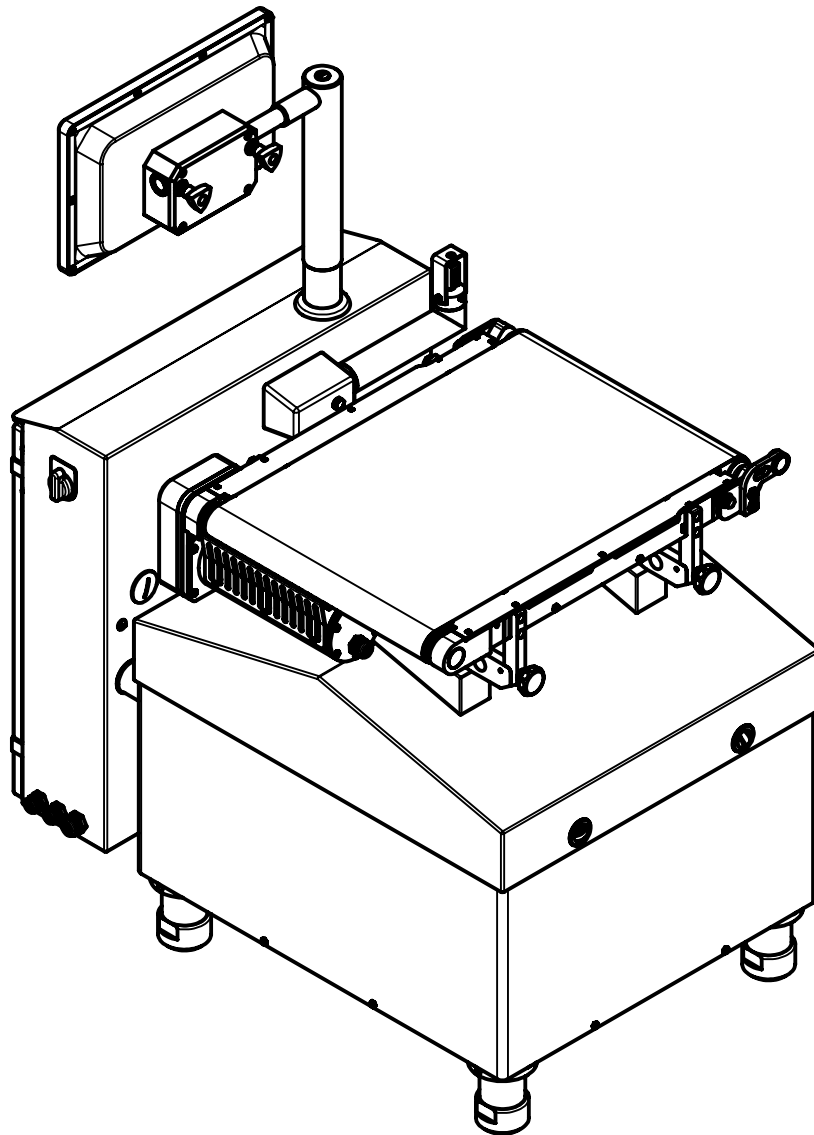


# HC-M-WD-SL

TECHNICAL DATA

CW



# WASH-DOWN FOR HEAVY DUTY APPLICATIONS

HC-M WD-SL

The **HC-WD-SL** is the ideal checkweigher when it comes to weighing larger products such as crates, boxes, bags and containers in wet and areas of frequent and intensive cleaning.

An innovative hygienic design complies with regulatory provisions and, furthermore, provides the highest possible protection (IP69K). Designed as a mono-checkweigher, the HC-WD-SL can be optionally equipped with an infeed and/or outfeed conveyor (with or without a rejection system).

The use of high-tech Weigh Cells from WIPOTEC, which operate according to the principle of Electro-Magnetic Force Restoration (EMFR), guarantees optimal weighing results with the best technology.

The easy and intuitive software interface ensures comfortable operation on an 10,4-inch, clearly laid out, colour TFT display with touchscreen.



## MAIN FEATURES

- ✔ Gross Weighing Range (GWR): 30 kg
- ✔ Weighing conveyor in stainless steel

## YOUR BENEFITS

- ✔ Protection class: IP69K for highest hygiene
- ✔ WIPOTEC EMFR Weigh Cell for optimal weighing results

# TECHNICAL DATA

## HC-M WD-SL

### BASE DATA

<b>Material of machine</b>	Stainless steel V2A/AISI 304
<b>Machine weight (standard application)</b>	220 kg
<b>Shipping weight (standard application)</b>	300 kg
<b>Protection class</b>	IP69K
<b>Temperature range</b>	+5 °C to +40 °C
<b>Display and operation</b>	Rotatable and tiltable 10,4" colour TFT display with touchscreen
<b>Available dialog languages</b>	Bosnian, Chinese, Croatian, Czech, Danish, Dutch, English, Finnish, French, German, Greek, Hungarian, Italian, Japanese, Latvian, Lithuanian, Polish, Portuguese, Russian, Slovak, Slovenian, Spanish, Swedish, Turkish (other languages on request)
<b>Interfaces <sup>1)</sup></b>	Optionally: Ethernet, OPC, Profibus, ProfiNet, EtherNet/IP, RS232, RS422, RS485
<b>Max. output <sup>2)</sup></b>	100 pcs/min
<b>Digital I/O</b>	8xE + 8xA (optionally extendible)
<b>Product parameter storage</b>	100 PPS (optionally 200 / 400 PPS)
<b>Drive</b>	Servo-Technology
<b>Noise level <sup>2)</sup></b>	A-weighted emission sound pressure level under 70dB(A)
<b>Rated voltage</b>	L1/N/PE 100-200 VAC
<b>Rated frequency</b>	50/60 Hz
<b>Connect load (power capacity)</b>	Approx. 1.1 kVA
<b>Compressed air supply</b>	6 bar approx. 16NI/min quality class (according to ISO 8573-1) [5:3:3]
<b>Possible maximum numbers of connected motors</b>	1 motor (optionally 2 extendible)
<b>EU-type examination certificate</b>	DE-18-MI006-PTB001 (MID)

### WEIGHING DETAILS

	<b>Weigh Cell</b> (Type)	<b>GWR</b> (Gross weighing range)	<b>Dead load</b> max.	<b>e</b> (Min. calibration value)	<b>d</b> (Displayed value)	<b>Standard deviation <sup>2)</sup></b> (1s)	<b>n</b> (Scale division)
<b>HC-M-WD-SL-30</b>	IW-B-30k	30,000 g	60,000 g	≥ 5 g	≥ 0.5 g	from 500 mg	6,000

### CONVEYOR DIMENSIONS

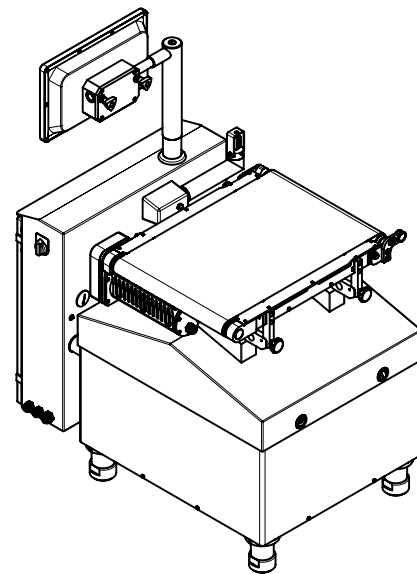
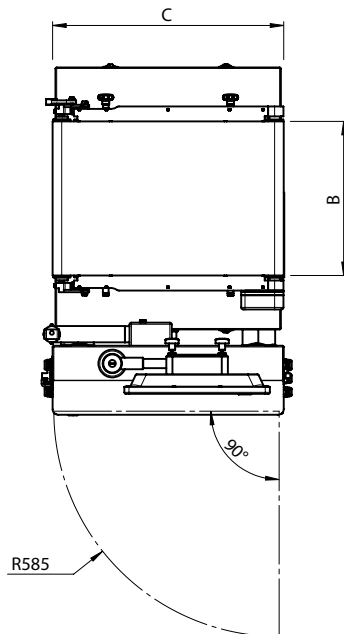
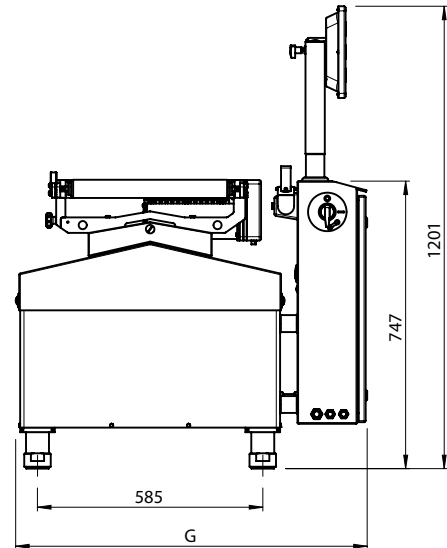
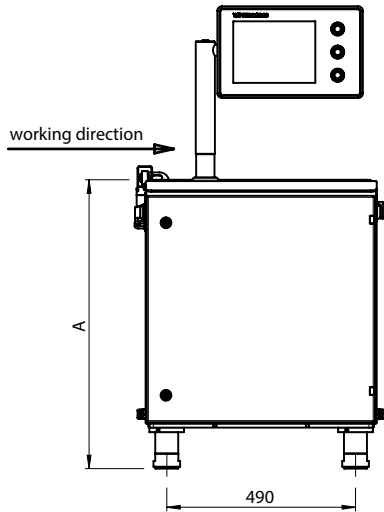
		<b>Dimensions weighing conveyor</b>	
length \ width		400 mm	600 mm
600 mm		x	-
700 mm		x	-
800 mm		x	x
1,000 mm		-	x

1) Optionally, surcharge

2) Depending on product shape, product behavior, transport speed and environmental condition

# MACHINE DIMENSIONS

HC-M WD-SL



<b>A = Working height</b> <sup>1)</sup>	700-1,085 mm <sup>1)</sup>
<b>B = Conveyor width</b>	400 / 600 mm
<b>Conveyor technology VA46WA</b>	roller diameter 46 mm
<b>C = Weighing conveyor length</b>	600 / 700 / 800 / 1,000 mm
<b>D = Infeed conveyor length</b>	optional <sup>2)</sup>
<b>E = Outfeed conveyor length</b>	optional <sup>2)</sup>
<b>F = Total length</b>	C + 10 mm
<b>G = Total width</b>	920 mm depending on machine configuration

1) Working height must be specified when ordering  
 2) Optionally, surcharge

These specifications are reference values of the standard machine excluding application- or weighing-specific add-on parts.  
 All entries in mm | Drawing shows design example

# PERSONAL NOTES



---

---

---

---

---

---

---

---

---

---

---

---

---

---

---

---

---

---

---

---

---

---

---

---

---

---

