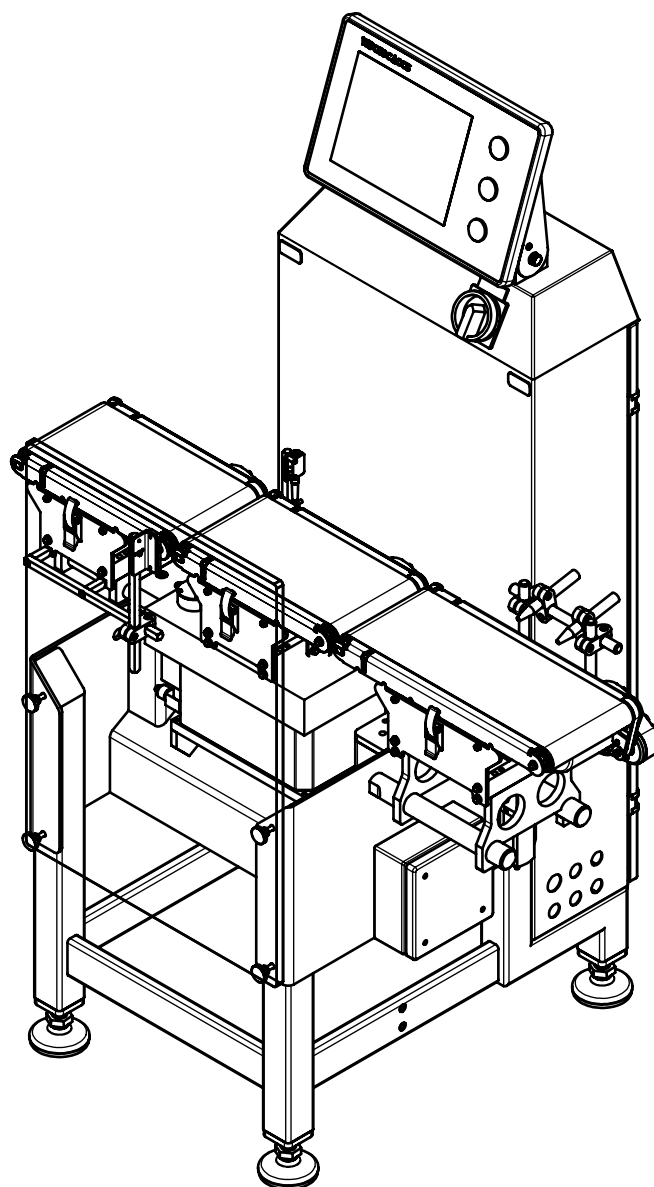


# HC-M-VA

TECHNICAL DATA

CW



# SOLID STAINLESS STEEL VERSION FOR WET ENVIRONMENTS

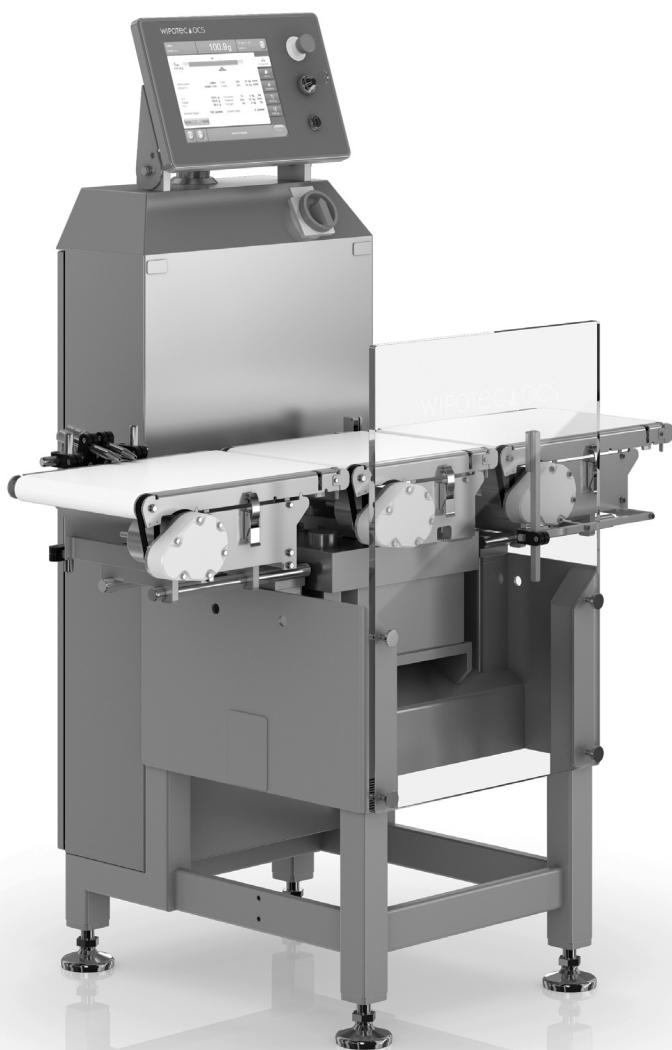
HC-M VA

The solid stainless steel construction of the **HC-M-VA** is the perfect answer. Other materials have been deliberately avoided in the product areas.

This makes the HC-M-VA ideal for use in light to average humidity environments (protection class IP65). The Weigh Cell (with secondary hood), drive motors, and conveyors are all manufactured as stainless steel machine components. Additional options in stainless steel complete this outstanding hygienic package.

The stainless steel version of the HC-M-VA is a prime example of hygienic design as well as for product and consumer safety. Designed and implemented for frequent cleaning cycles, this machine very easily integrated in existing production lines.

The easy and intuitive software interface ensures comfortable operation on an 10,4-inch, clearly laid out, colour TFT display with touchscreen.



## MAIN FEATURES

- ✔ Max output 250 ppm
- ✔ Exact fill results for higher productivity

## YOUR BENEFITS

- ✔ WIPOTEC EMFR Weigh Cell for precise weighing results
- ✔ Stainless steel construction for highest hygiene

# TECHNICAL DATA

## HC-M VA

### BASE DATA

<b>Material of machine</b>	Stainless steel V2A/AISI 304
<b>Machine weight (standard application)</b>	250 kg
<b>Shipping weight (standard application)</b>	320 kg
<b>Protection class</b>	IP65
<b>Temperature range</b>	+5 °C to +40 °C
<b>Display and operation</b>	Tilttable 10,4" colour TFT display with touchscreen
<b>Available dialog languages</b>	Bosnian, Chinese, Croatian, Czech, Danish, Dutch, English, Finnish, French, German, Greek, Hungarian, Italian, Japanese, Latvian, Lithuanian, Polish, Portuguese, Russian, Slovak, Slovenian, Spanish, Swedish, Turkish (other languages on request)
<b>Interfaces <sup>1)</sup></b>	Optionally: Ethernet, OPC, Profibus, ProfiNet, EtherNet/IP, RS232, RS422, RS485
<b>Max. output <sup>2)</sup></b>	250 pcs/min
<b>Digital I/O</b>	8xI + 8xO (optionally extendible)
<b>Product parameter storage</b>	100 PPS (optionally 200 / 400 PPS)
<b>Drive</b>	Servo-Technology
<b>Noise level <sup>2)</sup></b>	A-weighted emission sound pressure level under 70dB(A)
<b>Rated voltage</b>	L1/N/PE 100-240 VAC
<b>Rated frequency</b>	50/60 Hz
<b>Connect load (power capacity)</b>	Approx. 0.8 kVA
<b>Compressed air supply (option)</b>	6 bar approx. 16NI/min quality class (according to ISO 8573-1) [5:3:3]
<b>Possible maximum numbers of connected motors</b>	3 motors (optionally 2 extendible)
<b>EU-type examination certificate</b>	DE-18-MI006-PTB001 (MID)

### WEIGHING DETAILS

	<b>Weigh Cell</b> (Type)	<b>GWR</b> (Gross weighing range)	<b>Dead load</b> max.	<b>e</b> (Min. calibration value)	<b>d</b> (Displayed value)	<b>Standard deviation <sup>2)</sup></b> (1s)	<b>n</b> (Scale division)
<b>HC-M-VA-3000-3</b>	<b>EC-3000-3</b>	1,500 g	8,500 g	≥ 0.2 g	≥ 0.02 g	from 100 mg	7,500
<b>HC-M-VA-3000-2</b>	<b>EC-3000-2</b>	3,750 g	8,500 g	≥ 0.5 g	≥ 0.05 g	from 100 mg	7,500
<b>HC-M-VA-3000-1</b>	<b>EC-3000-1</b>	7,500 g	8,500 g	≥ 1.0 g	≥ 0.1 g	from 100 mg	7,500
<b>HC-M-VA-4000-2</b>	<b>EC-4000-2</b>	7,500 g	15,000 g	≥ 1.0 g	≥ 0.1 g	from 100 mg	7,500

1) Optionally, surcharge

2) Depending on product shape, product behavior, transport speed and environmental condition

# TECHNICAL DATA

HC-M VA

## CONVEYOR DIMENSIONS

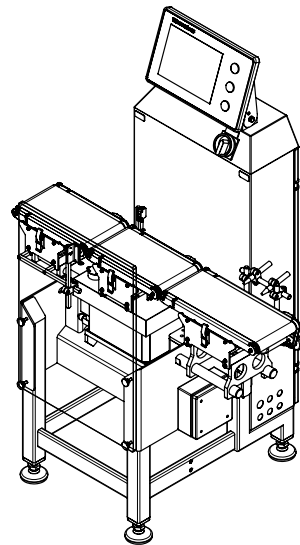
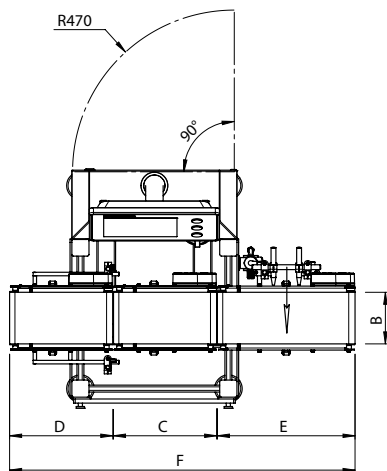
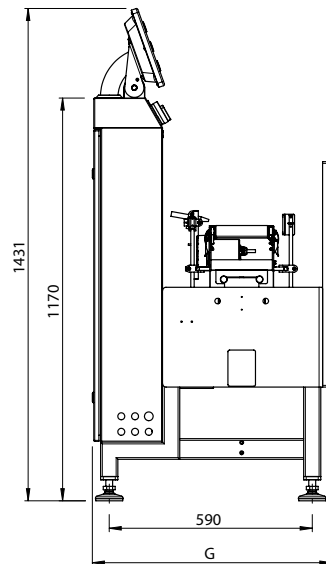
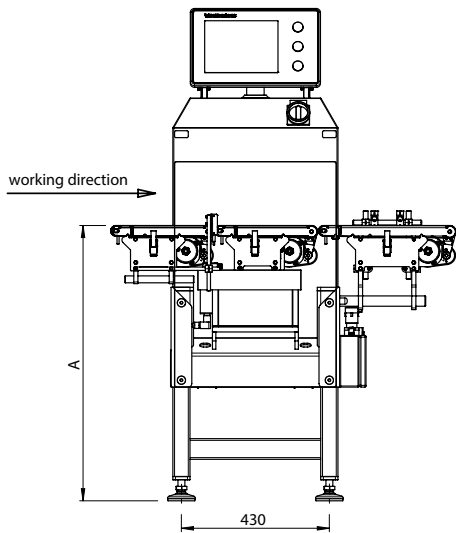
		Dimensions weighing conveyor		
length \ width		150 mm	250 mm	350 mm <sup>1)</sup>
250 mm <sup>1)</sup>		X	-	-
300 mm		X	X	-
400 mm		X	X	X
500 mm		X	X	X

		Dimensions infeed / outfeed conveyor		
length \ width		150 mm	250 mm	350 mm <sup>1)</sup>
250 mm <sup>1)</sup>		X	-	-
300 mm		X	X	-
400 mm		X	X	X
500 mm		X	X	X
600 mm		X	X	X

1) Optionally, surcharge

# MACHINE DIMENSIONS

## HC-M VA



<b>A = Working height</b> <sup>1)</sup>	700-850 / 800-950 / 900-1,050 mm
<b>B = Conveyor width</b>	150 / 250 / 350 <sup>2)</sup> mm
<b>Conveyor technology VA35E</b>	roller diameter 35 mm
<b>C = Weighing conveyor length</b>	250 <sup>2)</sup> / 300 / 400 / 500 mm
<b>D = Infeed conveyor length</b>	250 <sup>2)</sup> / 300 / 400 / 500 / 600 mm
<b>E = Outfeed conveyor length</b>	250 <sup>2)</sup> / 300 / 400 / 500 / 600 mm
<b>F = Total length</b>	D + C + E + 10 mm
<b>G = Total width</b>	700 mm depending on machine configuration

1) Working height must be specified when ordering

2) Optionally, surcharge

These specifications are reference values of the standard machine excluding application- or weighing-specific add-on parts.  
All entries in mm | Drawing shows design example

# PERSONAL NOTES



---

---

---

---

---

---

---

---

---

---

---

---

---

---

---

---

---

---

---

---

---

---

---

