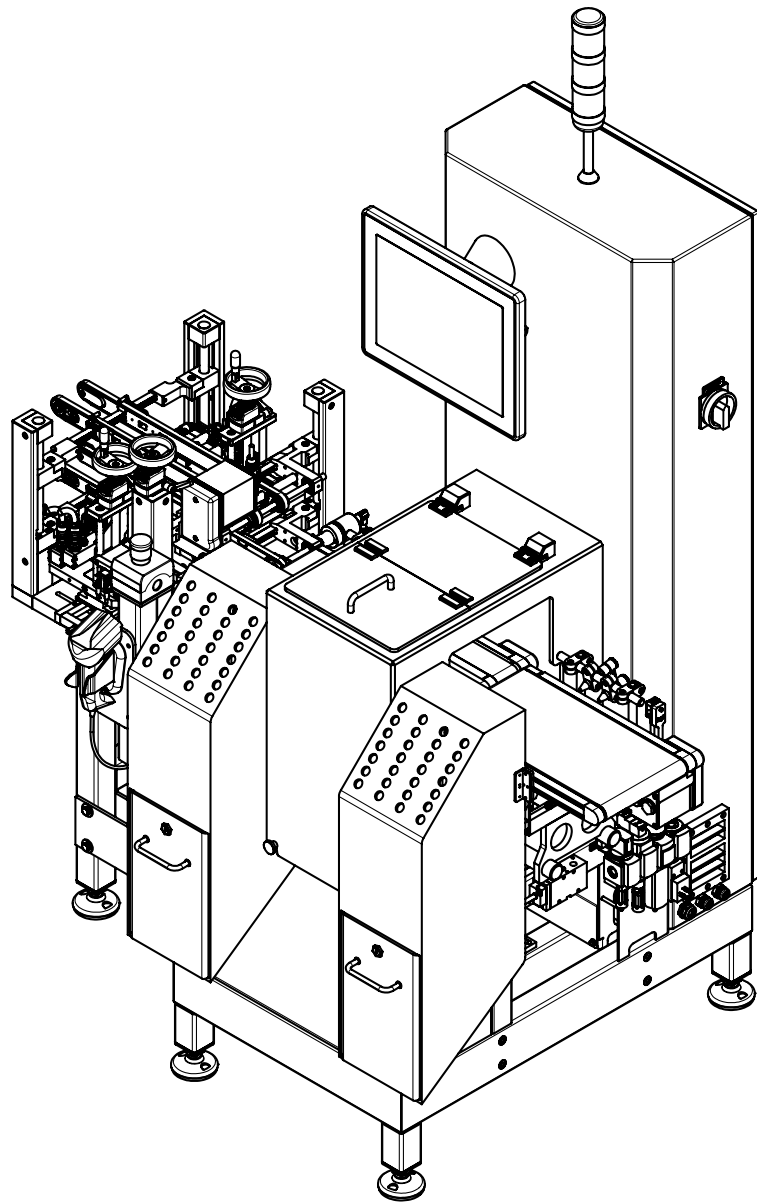


TQS-HC-A

TECHNICAL DATA



TECHNICAL DATA

TQS HC-A

BASE DATA

Material of machine	Stainless steel V2A/AISI 304
Unit weight	400 kg (with tamper-evident 600 kg)
Production type	IP54 ¹⁾
Temperature range	+5 °C to +40 °C
Display and operation	15" colour TFT display with touchscreen (optionally 19" colour TFT display with touchscreen)
Interfaces	Standard level 3 interface (XML, Ethernet)
Output	300 pcs/min (optionally 600 pcs/min)
Weighing range	Up to 750 g (optionally up to 1,500 g)
Product length	30 mm-120 mm (optionally 20 mm-220 mm)
Product height	10 mm-150 mm (optionally 10 mm-200 mm)
Product depth	40 mm-200 mm (optionally 80 mm-300 mm)
Product transport height	800 mm-950 mm (optionally 700 mm-840 mm / 900 mm-1,050 mm)
Drive	Servomotor
Length of the travel direction	1,400 mm (with tamper-evident 1,800 mm)
Rated voltage; Rated frequency	L1/N/PE 100-240V; 50/60 Hz
Connect load	1 kVA
Compressed air	Approx. 6 bar 16 NI/min, quality class 5/3/3 to DIN ISO 8573-1
EU-type examination certificate	DE-18-MI006-PTB001 (MID) (optionally)

OPTIONAL COMPONENTS

Software and Connection	TQS Line Manager, TQS Device Controller, Industrial firewall with remote maintenance, Data backup and recovery, meets requirements according to CFR 21 part 11, Microsoft Active Directory, manual reinspection, customer-specific report, standardised universal interface for connection to level 3
Aggregation level	Manual extention (optional manual aggregation level)
Handheld scanner	Wireless
Mark&Verify Group	TQS Ink Print (TIJ) (optionally CO ₂ laser)
Labels	Tamper-evident, Vignette labeller
Additional conveyors	400 mm-1,500 mm, Turning station, Grouping table (TQS-GT)
Sorting and Ejection	Rejection bin, Gravity roller conveyor, Blowing nozzle (air blast), Pusher
Sorting lamp	3-stage stacklight (optionally customer-specific signalling column)
Language packs	Bulgarian, Chinese (simplified), Croatian, Czech, Danish, Dutch, English, Estonian, French, German, Greek, Hungarian, Italian, Polish, Portuguese, Romanian, Russian, Spanish, Swedish, Turkish (other languages on request)
Documentation	Machine documentation, Qualification package, Functional specification (FDS), Risk analysis industrial personal computer (RA IPC), Traceability Matrix (TM), Risk analysis according to Machinery Directive (RAm)

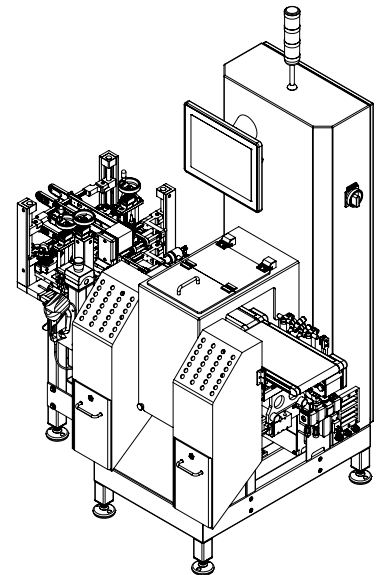
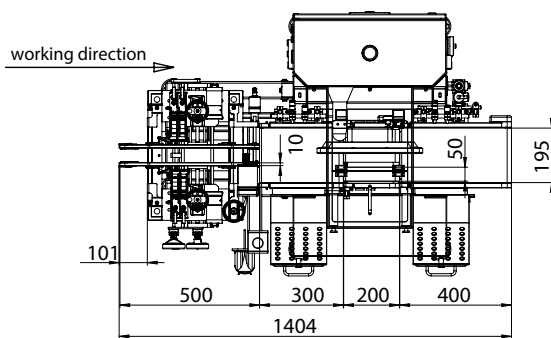
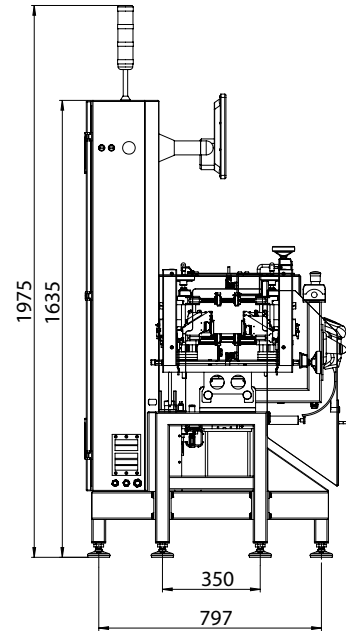
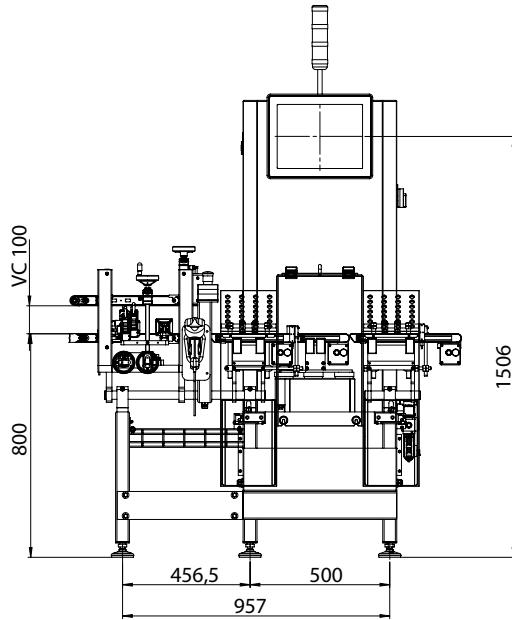
¹⁾ water spray from above

These specifications are reference values of the standard machine excluding application- or weighing-specific add-on parts.
Extended performance data available on request.

MACHINE DIMENSIONS

TQS-HC-A

TQS HC-A

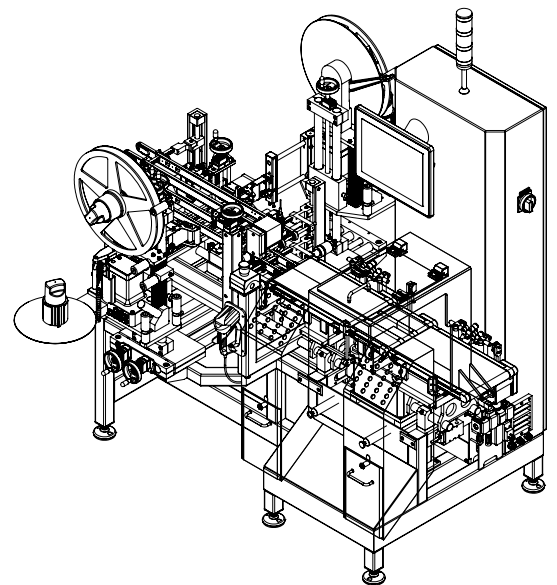
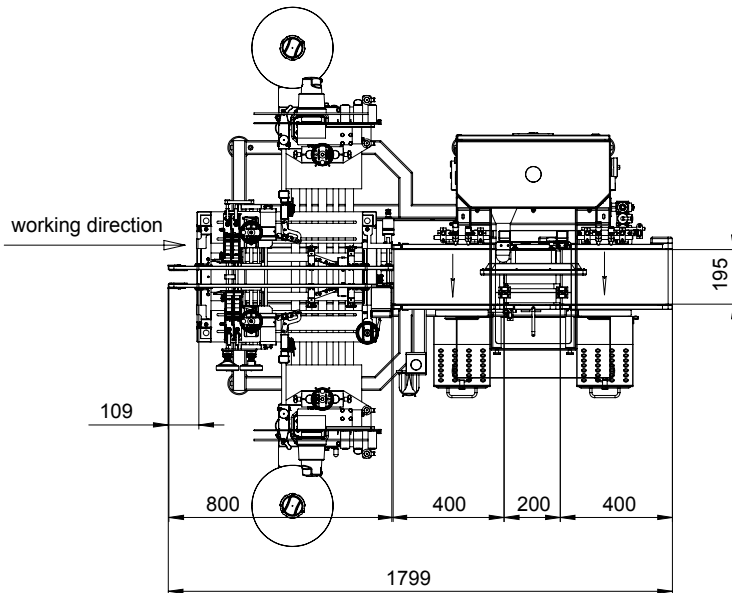
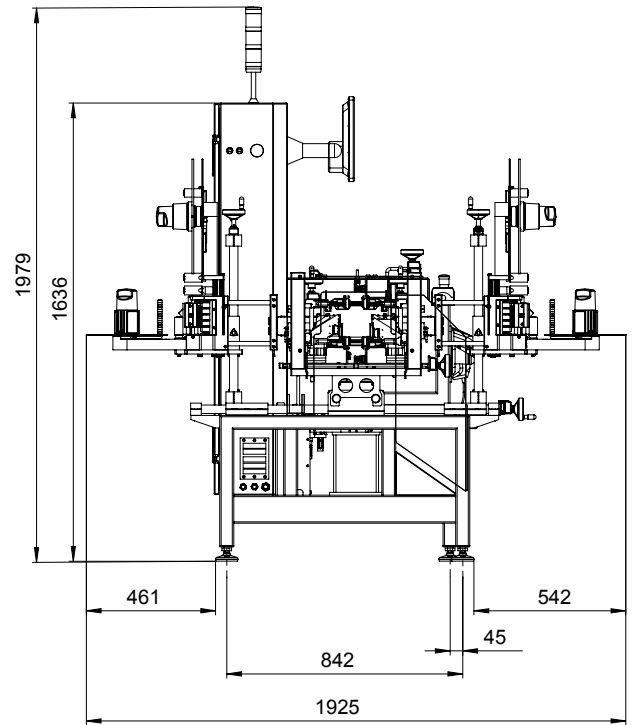
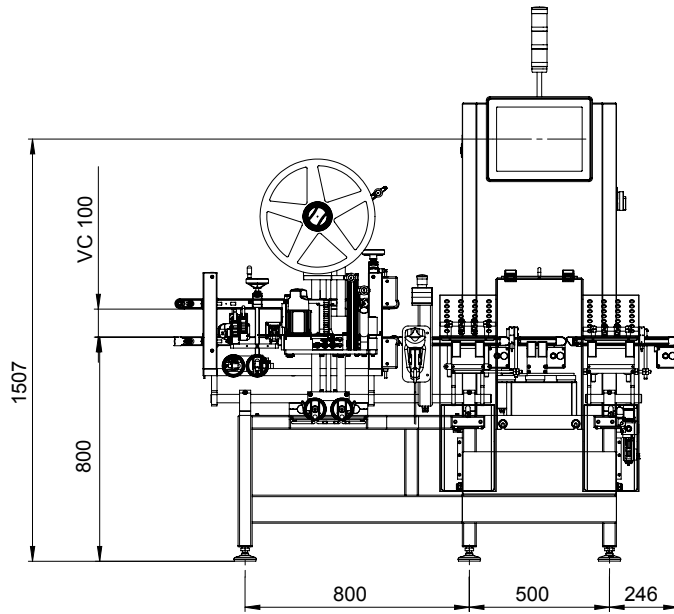


These specifications are reference values of the standard machine excluding application- or weighing-specific add-on parts.
All entries in mm | Drawing shows design example

MACHINE DIMENSIONS

TQS-HC-A WITH TAMPER-EVIDENT

TQS HC-A

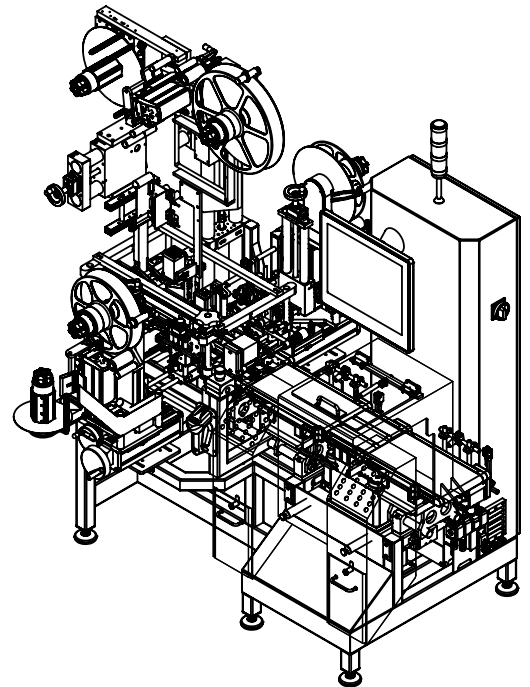
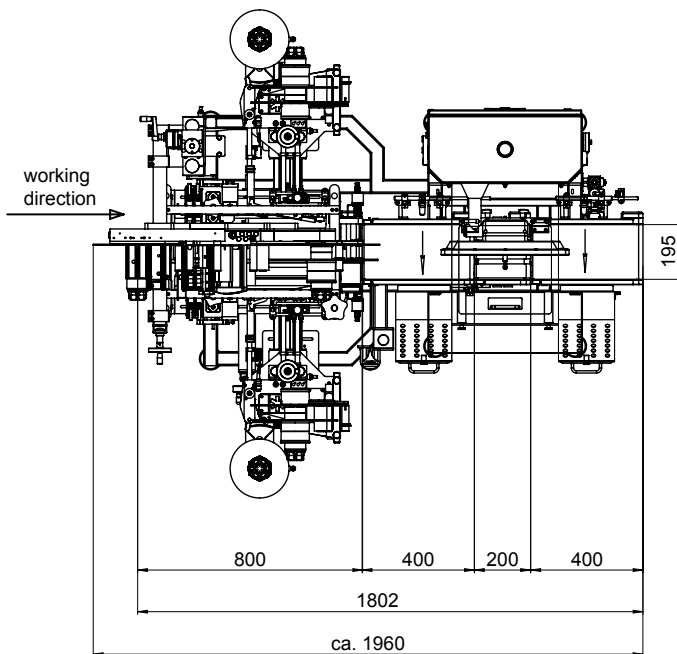
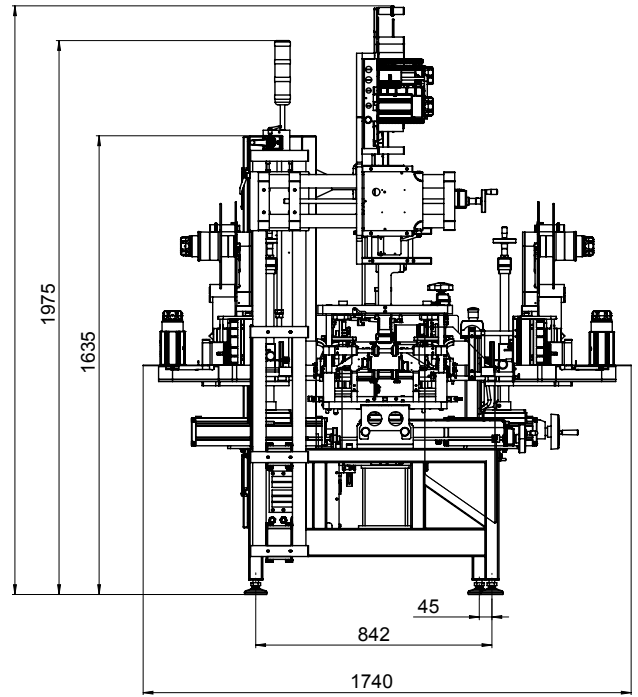
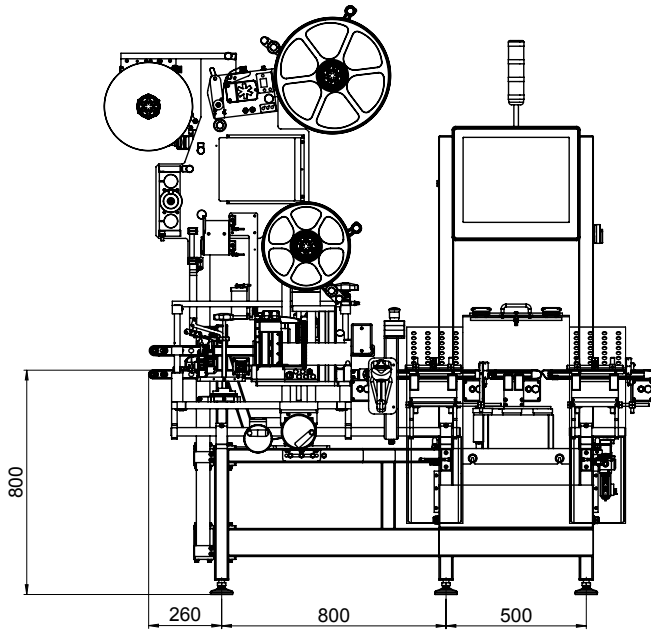


These specifications are reference values of the standard machine excluding application- or weighing-specific add-on parts.
All entries in mm | Drawing shows design example

MACHINE DIMENSIONS

TQS-HC-A ALL-IN-ONE

TQS HC-A



These specifications are reference values of the standard machine excluding application- or weighing-specific add-on parts.
All entries in mm | Drawing shows design example

